

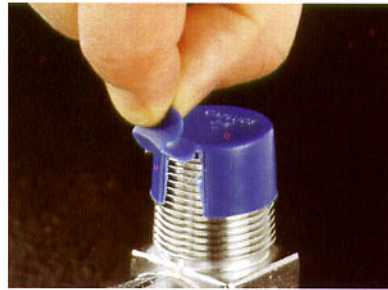


CAPS non-threaded

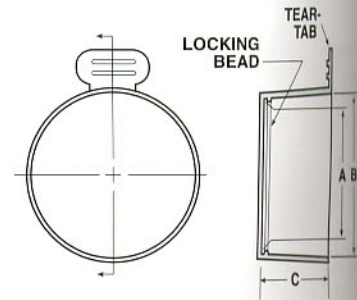
J Series Tear-Tab Caps for NPT Pipe Threads



Time-saving Series J Tear Caps slip easily over male NPT fittings and snap in place. Locking bead engages lead thread, holds cap on securely. Tear-Tab breaks seal for easy removal.



MATERIAL: Low Density Polyethylene
COLOR*: Blue

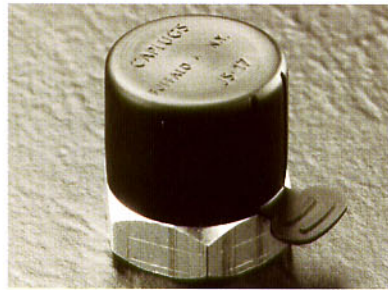


JS Series Tear-Tab Caps for Straight Threads

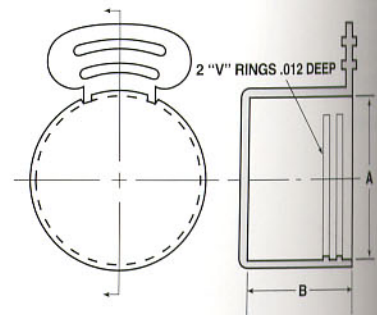
EXPANDED



Series JS Tear Caps for straight threads feature an extra-wide tab with gripping ribs on both top and bottom, making it easy to grab and tear off. Standard color for the JS is black.



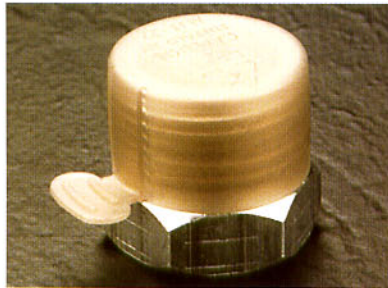
MATERIAL: Low Density Polyethylene
COLOR*: Black



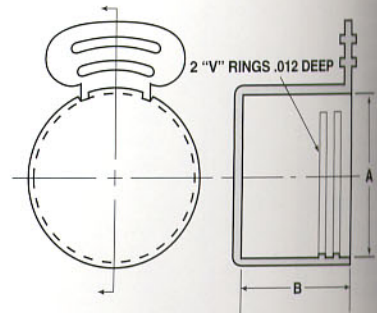
MJS Series Tear-Tab Caps for Metric Threads



Series MJS Tear Caps for straight threads feature an extra-wide tab with gripping ribs on both top and bottom, making it easy to grab and tear off. The Series MJS fits metric threads. Standard color for the MJS is translucent gold, making it possible to view an O-ring on the fitting.



MATERIAL: Low Density Polyethylene
COLOR*: Gold



MJ Series Tear-Tab Caps for Tapered Metric Threads

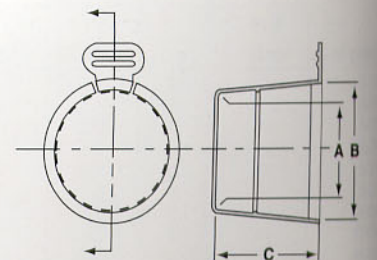
NEW



Series MJ Tear-Tab Caps slip easily over metric threads and snap in place. Locking bead engages lead thread and holds cap on securely. Tear-tab breaks for easy removal.



MATERIAL: Low Density Polyethylene
COLOR: Red





J Series

Caplug No.	Dimensions							Packaging			Caplug No.	
	To Fit Thread Size	A		B		C		Standard Carton		Mini Pak Quantity		
		in	mm	in	mm	in	mm	Shipping Wt. (Approx.) lbs	Shipping Wt. (Approx.) kgs			No. of Pieces
J-1/8	1/8" NPT	.385	9.78	.405	10.29	.32	8.13	4	1.8	5000	1000	J-1/8
J-1/4	1/4" NPT	.512	13.00	.540	13.72	.49	12.45	7	3.1	5000	1000	J-1/4
J-3/8	3/8" NPT	.643	16.33	.675	17.15	.49	12.45	10	4.5	5000	1000	J-3/8
J-1/2	1/2" NPT	.800	20.32	.840	21.34	.64	16.26	14	6.3	5000	1000	J-1/2
J-3/4	3/4" NPT	1.005	25.53	1.050	26.67	.65	16.51	15	6.8	2500	500	J-3/4
J-1	1" NPT	1.261	32.03	1.315	33.40	.81	20.57	16	7.2	2500	500	J-1
J-1-1/4	1 1/4" NPT	1.604	40.74	1.660	42.16	.84	21.34	18	8.1	2000	400	J-1-1/4
J-1-1/2	1 1/2" NPT	1.841	46.76	1.900	48.26	.85	21.59	13	5.8	1000	200	J-1-1/2
J-2	2" NPT	2.313	58.75	2.375	60.33	.89	22.61	10	4.5	500	100	J-2
J-2-1/2	2 1/2" NPT	2.792	70.92	2.875	73.03	1.33	33.78	14	6.3	500	100	J-2-1/2
J-3	3" NPT	3.411	86.64	3.500	88.90	1.39	35.31	12	5.4	250	50	J-3

JS Series

Caplug No.	Dimensions							Packaging			Caplug No.	
	To Fit Tube Size	To Fit Thread Size		A		B		Standard Carton		Mini Pak Quantity		
		in	mm	in	mm	in	mm	Shipping Wt. (Approx.) lbs	Shipping Wt. (Approx.) kgs			No. of Pieces
JS-6	3/16	3/8-24	-	◇	◇	.44	11.18	7	3.2	5000	1000	JS-6
JS-7	1/4	7/16-20	-	.428	10.87	.44	11.18	8	3.6	5000	1000	JS-7
JS-8	5/16	1/2-20	-	◇	◇	.46	11.68	9	4.1	5000	1000	JS-8
JS-9	3/8	9/16-18	-	◇	◇	.48	12.19	10	4.5	5000	1000	JS-9
JS-10	3/8	5/8-18	-	.615	15.62	.48	12.19	11	4.9	5000	1000	JS-10
JS-12	1/2	3/4-16	-	.740	18.80	.56	14.22	14	6.3	5000	1000	JS-12
JS-14	5/8	7/8-14	-	.865	21.97	.70	17.78	19	8.6	5000	1000	JS-14
JS-17	3/4	1 1/16-12	-	1.053	26.75	.83	21.08	14	6.3	2500	500	JS-17
JS-21	1	1 5/16-12	-	◇	◇	.75	19.05	16	7.3	2500	500	JS-21

MJS Series

Caplug No.	Dimensions							Packaging			Caplug No.	
	To Fit Tube Size	To Fit Thread Size		A		B		Standard Carton		Mini Pak Quantity		
		in	mm	in	mm	in	mm	Shipping Wt. (Approx.) lbs	Shipping Wt. (Approx.) kgs			No. of Pieces
MJS-18	3/8	-	M-18	.713	18.11	.56	14.2	13	5.8	5000	1000	MJS-18
MJS-20	1/2	-	M-20	.791	20.09	.56	14.2	15	6.8	5000	1000	MJS-20
MJS-22	5/8	-	M-22	.870	22.09	.48	12.2	15	6.8	5000	1000	MJS-22
MJS-27	3/4	-	M-27	1.067	27.10	.67	17.2	13	5.8	2500	500	MJS-27

MJ Series

Caplug No.	Dimensions						Packaging			Caplug No.	
	A		B		C		Standard Carton		Mini Pak Quantity		
	in	mm	in	mm	in	mm	Shipping Wt. (Approx.) lbs	Shipping Wt. (Approx.) kgs			No. of Pieces
MJ-3/4	1.106	28.09	1.296	32.92	1.14	28.96	14	6.4	2500	500	MJ-3/4
MJ-1	1.289	32.74	1.500	38.10	1.20	30.48	12	5.4	1500	300	MJ-1



CAPS non-threaded

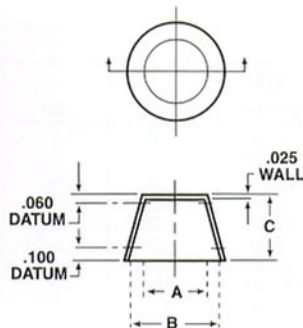
PTC Series Tapered Paper Caps for Use in Capping



Manufactured from natural paper which is 100% recyclable, Series PTC Paper Capplugs are the answer for applications requiring "environmentally-friendly" components. These closures will withstand temperatures up to 400°F (204°C), making them ideal for high-temperature applications which may degrade typical plastic caps.



MATERIAL: 90 lb. Paperboard
COLOR: Natural



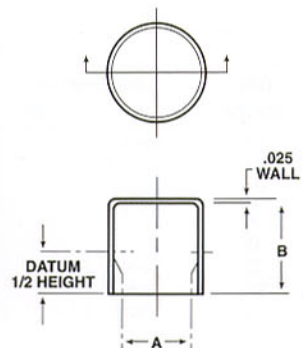
PSC Series Straight Paper Caps for Use in Capping Flared Tube Fittings



PSC Series Paper Capplugs are manufactured from "environmentally-friendly" natural paper formulated from a blend of 90% virgin pulp and 10% post-consumer recycled paper. They are 100% recyclable. These closures will withstand temperatures up to 400°F (204°C), making them ideal for high-temperature applications which may degrade typical plastic caps.



MATERIAL: 90 lb. Paperboard
COLOR: Natural



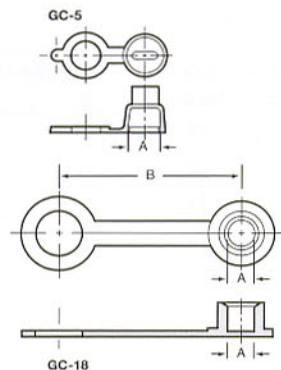
GC Series Grease Caps



Series GC Grease Caps snap securely over fittings to seal out dirt and moisture. Integral retaining ring keeps cap in place during servicing. Color coding may be used to indicate type and/or frequency of lubrication. Caps also make good masks for spray painting. Available in two styles.



MATERIAL: Low Density Polyethylene
COLOR*: Red, Blue, Yellow, Green, Black, White



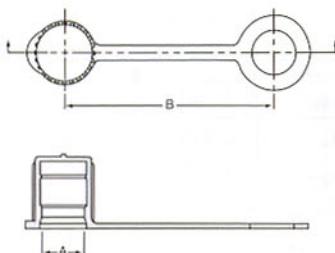
CBC Series Coaxial Cable Connectors



Series CBC Coaxial Cable Connector Caps are used to protect cable connectors during packaging and shipping. Designed to fit a nominal 3/8" diameter, these tethered caps snap securely to keep out dirt and moisture.



MATERIAL: Low Density Polyethylene
COLOR*: Black





PTC Series

Caplug No.	Dimensions								Packaging				Caplug No.
	To Fit Thread Size	A		B		C		Standard Carton		Mini Pak Quantity			
		in	mm	in	mm	in	mm	Shipping Wt. (Approx.)			No. of Pieces		
								lbs	kgs				
PTC-S-26-3	1/8	.366	9.30	.461	11.71	.43	10.92	15	6.8	25000	1000	PTC-S-26-3	
PTC-S-41-3	1/4	.470	11.94	.511	12.98	.57	14.48	14	6.4	12000	1000	PTC-S-41-3	
PTC-S-24-3	3/8	.648	16.46	.650	16.51	.53	13.46	19	8.6	16000	1000	PTC-S-24-3	
PTC-S-27-3	1/2	.795	20.19	.901	22.89	.79	20.07	18	8.1	7000	1000	PTC-S-27-3	
PTC-S-10-3	1	1.264	32.11	1.317	33.45	.75	19.05	15	6.8	3300	660	PTC-S-10-3	
PTC-S-35-3	1 1/16	.938	23.83	1.058	26.87	.92	23.37	13	5.9	4000	800	PTC-S-35-3	
PTC-S-51-3X	1 1/4	1.603	40.72	1.669	42.39	.85	21.59	18	8.1	2700	540	PTC-S-51-3X	
PTC-S-98-3	1 1/2	1.826	46.38	1.877	47.68	.98	24.89	13	5.9	1800	360	PTC-S-98-3	
PTC-S-52-3	2	2.306	58.57	2.318	58.88	.83	21.08	14	6.4	1400	280	PTC-S-52-3	
PTC-S-67-3X	2 1/2	2.792	70.92	2.824	71.73	.97	24.64	10	4.5	800	160	PTC-S-67-3X	
PTC-S-25-3	3	3.299	83.80	3.618	91.90	1.11	28.20	9	4.1	500	100	PTC-S-25-3	

Recommended for external threaded fittings.

PSC Series

Caplug No.	Dimensions						Packaging				Caplug No.
	To Fit Thread Size	A		B		Standard Carton		Mini Pak Quantity			
		in	mm	in	mm	Shipping Wt. (Approx.)			No. of Pieces		
							lbs	kgs			
PSC-S-11-3	1/8	.289	7.34	.48	12.19		12	5.4	22000	1000	PSC-S-11-3
PSC-S-26-3	3/16	.360	9.14	.46	11.68		16	7.2	25000	1000	PSC-S-26-3
PSC-S-29-3	1/4	.416	10.57	.54	13.72		16	7.2	18000	1000	PSC-S-29-3
PSC-S-41-3	5/16	.491	12.47	.58	14.73		15	6.8	12500	1000	PSC-S-41-3
PSC-S-34-3	3/8	.598	15.19	.63	16.00		12	5.4	8000	1000	PSC-S-34-3
PSC-S-30-3	1/2	.717	18.21	.82	20.83		18	8.1	8500	1000	PSC-S-30-3
PSC-S-47-3	5/8	.876	22.25	.88	22.35		17	7.7	5500	1000	PSC-S-47-3
PSC-S-35-3	3/4	1.001	25.43	.92	23.37		15	6.8	4000	800	PSC-S-35-3
PSC-S-5-3X	1	1.262	32.06	1.12	28.45		17	7.7	3400	680	PSC-S-5-3X
PSC-S-64-3	1 1/4	1.569	39.85	1.28	32.51		15	6.8	1800	360	PSC-S-64-3
PSC-S-98-3X	1 1/2	1.852	47.04	1.02	25.91		13	5.9	1800	360	PSC-S-98-3X

GC Series

Caplug No.	Dimensions						Packaging				Caplug No.
	A		B		Standard Carton		Mini Pak Quantity				
	in	mm	in	mm	Shipping Wt. (Approx.)			No. of Pieces			
							lbs	kgs			
GC-5	.234	5.94	.47	11.94			2	0.9	2500	500	GC-5
GC-18	.227	5.77	1.52	38.61			3	1.3	2500	500	GC-18

CBC Series

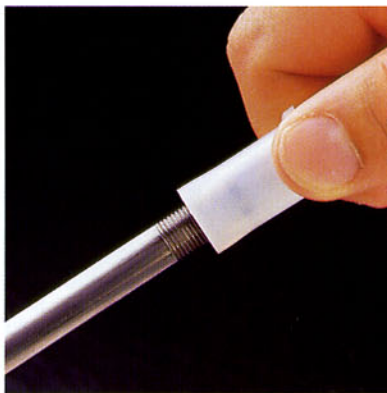
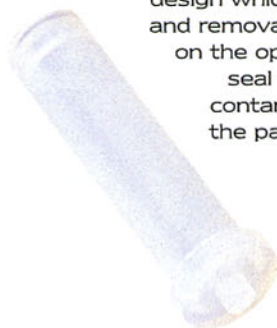
Caplug No.	Dimensions						Packaging				Caplug No.
	To Fit Thread Size	A		B		Standard Carton		Mini Pak Quantity			
		in	mm	in	mm	Shipping Wt. (Approx.)			No. of Pieces		
							lbs	kgs			
CBC-6	3/8	.360	9.14	1.75	44.45		10	4.5	5000	1000	CBC-6



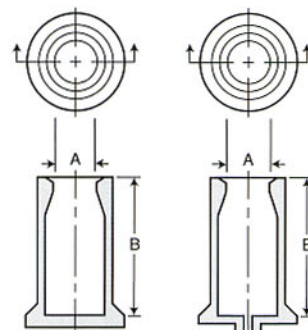
CAPS non-threaded

SFC Series Silicone Flange Caps

Series SFC Flange Caps feature a design which simplifies the application and removal of the cap. An internal lip on the open end provides a positive seal to prevent paint and other contaminants from seeping onto the part. A flanged head enables the cap to be manually removed with ease. Some sizes have provisions for venting air which may unseat the closure during processing at high temperatures.



MATERIAL: Silicone Rubber
COLOR*: Natural



Venting hole available only on SFC-156-32 and SFC-234-32

SRC Series Silicone Rubber Caps

Silicone Rubber Caplugs are ideal for protecting and masking parts undergoing painting, plating, powder coating, anodizing, abrasive chemical processing, or exposure to high temperatures up to 600°F (316°C). Molded from a specially formulated grade of silicone rubber, these Caplugs contain no coloring agents which could bleed under high temperatures. SRC Series Silicone Rubber Caps are suited especially for covering studs, tube ends, and other projections.



MATERIAL: Silicone Rubber
COLOR*: Natural

